



Series 5 10G Network Daughter Card Installation Guide



Copyright © 1994-2018 Dell Inc. or its subsidiaries. All Rights Reserved.

Contact Information

RSA Link at <https://community.rsa.com> contains a knowledgebase that answers common questions and provides solutions to known problems, product documentation, community discussions, and case management.

Trademarks

For a list of RSA trademarks, go to www.emc.com/legal/emc-corporation-trademarks.htm#rsa.

License Agreement

This software and the associated documentation are proprietary and confidential to Dell, are furnished under license, and may be used and copied only in accordance with the terms of such license and with the inclusion of the copyright notice below. This software and the documentation, and any copies thereof, may not be provided or otherwise made available to any other person.

No title to or ownership of the software or documentation or any intellectual property rights thereto is hereby transferred. Any unauthorized use or reproduction of this software and the documentation may be subject to civil and/or criminal liability.

This software is subject to change without notice and should not be construed as a commitment by Dell.

Third-Party Licenses

This product may include software developed by parties other than RSA. The text of the license agreements applicable to third-party software in this product may be viewed on the product documentation page on RSA Link. By using this product, a user of this product agrees to be fully bound by terms of the license agreements.

Note on Encryption Technologies

This product may contain encryption technology. Many countries prohibit or restrict the use, import, or export of encryption technologies, and current use, import, and export regulations should be followed when using, importing or exporting this product.

Distribution

Dell believes the information in this publication is accurate as of its publication date. The information is subject to change without notice.

January 2018

Contents

About this Document	4
Series 5 10G Network Daughter Card Installation	5
10G Network Daughter Card Kit Package Contents	5
Rear View of Series 5 Appliances (Except Hybrid)	5
R630 System Board	6
Parts for Installing or Replacing the 10G Network Daughter Card	7
Install a 10G Network Daughter Card	9
Rear View of Series 5 Hybrid Appliance	11
R730xd (Hybrid) System Board	12
Install a 10G Network Daughter Card in an R730xd (Hybrid)	14

About this Document

This document provides 10G Network Daughter Card information and installation procedures for NetWitness Suite Series 5 appliances (hosts).

The hardware setup instructions in this document are for hardware only; they do not apply to a specific release of NetWitness Suite software. After completing the hardware setup, please continue setup and configuration of the NetWitness Server appliance as described in the NetWitness Suite online documentation at RSA Link (<https://community.rsa.com/docs/DOC-40370>).

This document is not a replacement for the original manufacturer's documentation; it contains information specifically for the NetWitness Suite appliances.

Note: When viewing a printed guide, be aware that a newer version of the guide may be available online at RSA Link in RSA NetWitness Suite under Hardware Setup Guides: <https://community.rsa.com/community/products/netwitness/hardware-setup-guides>

Series 5 10G Network Daughter Card Installation

Expansion cards can be installed in RSA Series 5 NetWitness Suite appliances to add functionality to the system. This topic provides the general procedure for installing a 10G Network Daughter card into the NetWitness Suite Series 5 appliances. All but one of the Series 5 appliances are based on the Dell PowerEdge R630 chassis. The exception is the Hybrid appliance, which is based on the Dell PowerEdge R730xd chassis.

10G Network Daughter Card Kit Package Contents

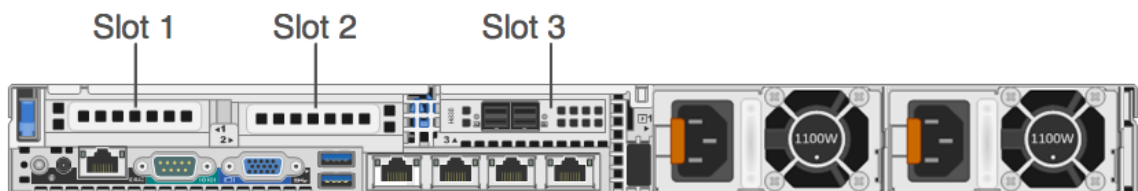
The kit consists of the following:

1. 10G Network Daughter card
2. ESD Wrist Strap
3. Warranty Label
4. Series 5 10G Network Daughter Card Installation Guide (this document)

Caution: The 10G Network Daughter card includes a Small Form-factor Pluggable Transceiver (SFP). It is important that you only use the SFP that comes with the 10G Network Daughter card.

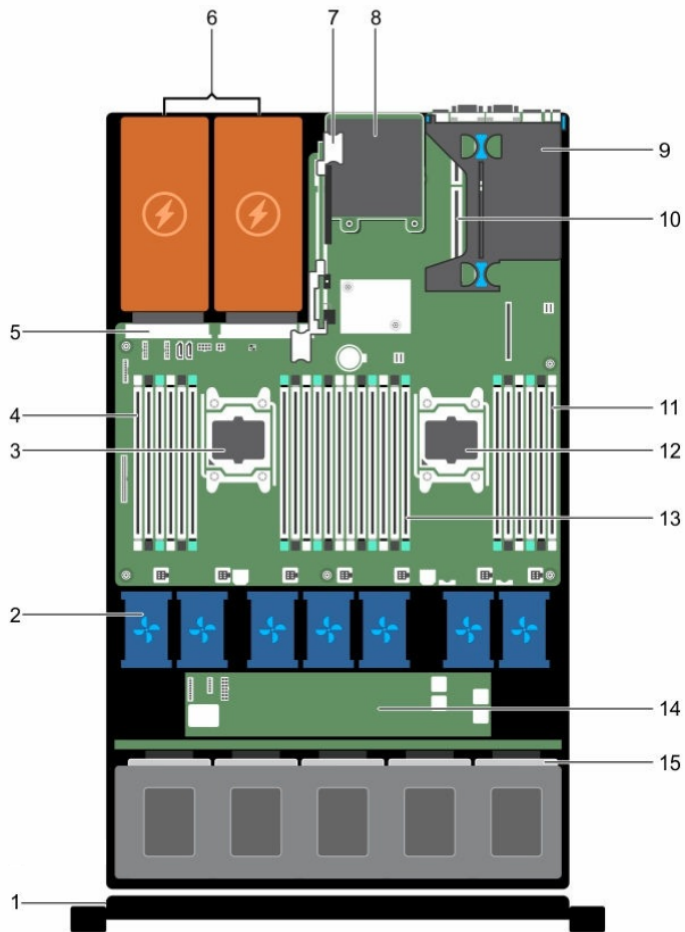
Rear View of Series 5 Appliances (Except Hybrid)

The following figure shows a PERC H830 RAID controller in slot 3.



Note: A missing or an unsupported card riser logs an SEL event. It does not prevent your system from powering on and a BIOS POST message or F1/F2 pause is not displayed.

R630 System Board

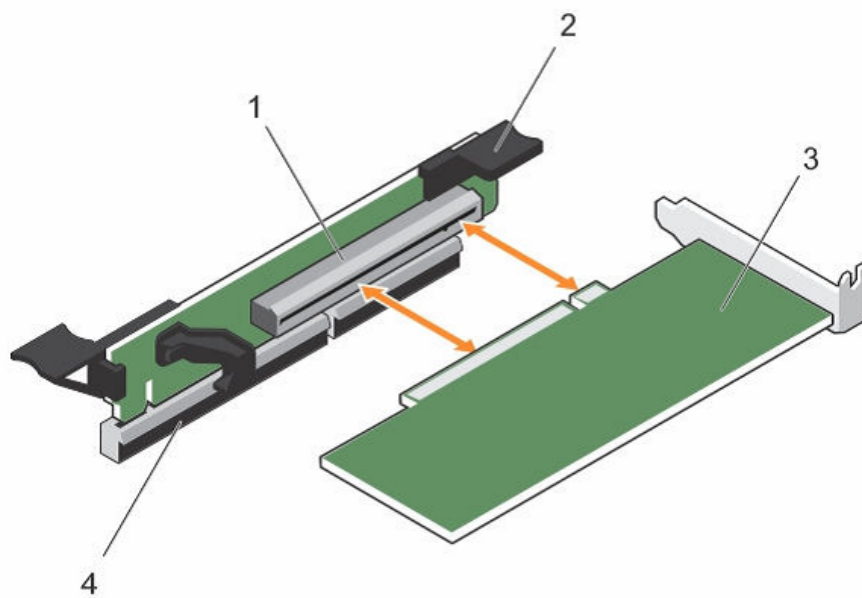


Key	Description	Key	Description
1	Control panel location	9	Riser card 1
2	Cooling fans (2)	10	Riser card 2
3	Processor 1	11	DIMMS (6)
4	DIMMS (6)	12	Processor 2
5	PSU connector	13	DIMMS (12)
6	Power supply (2)	14	Expander board

Key	Description	Key	Description
7	Riser card 3	15	Hard drive
8	Network daughter card		

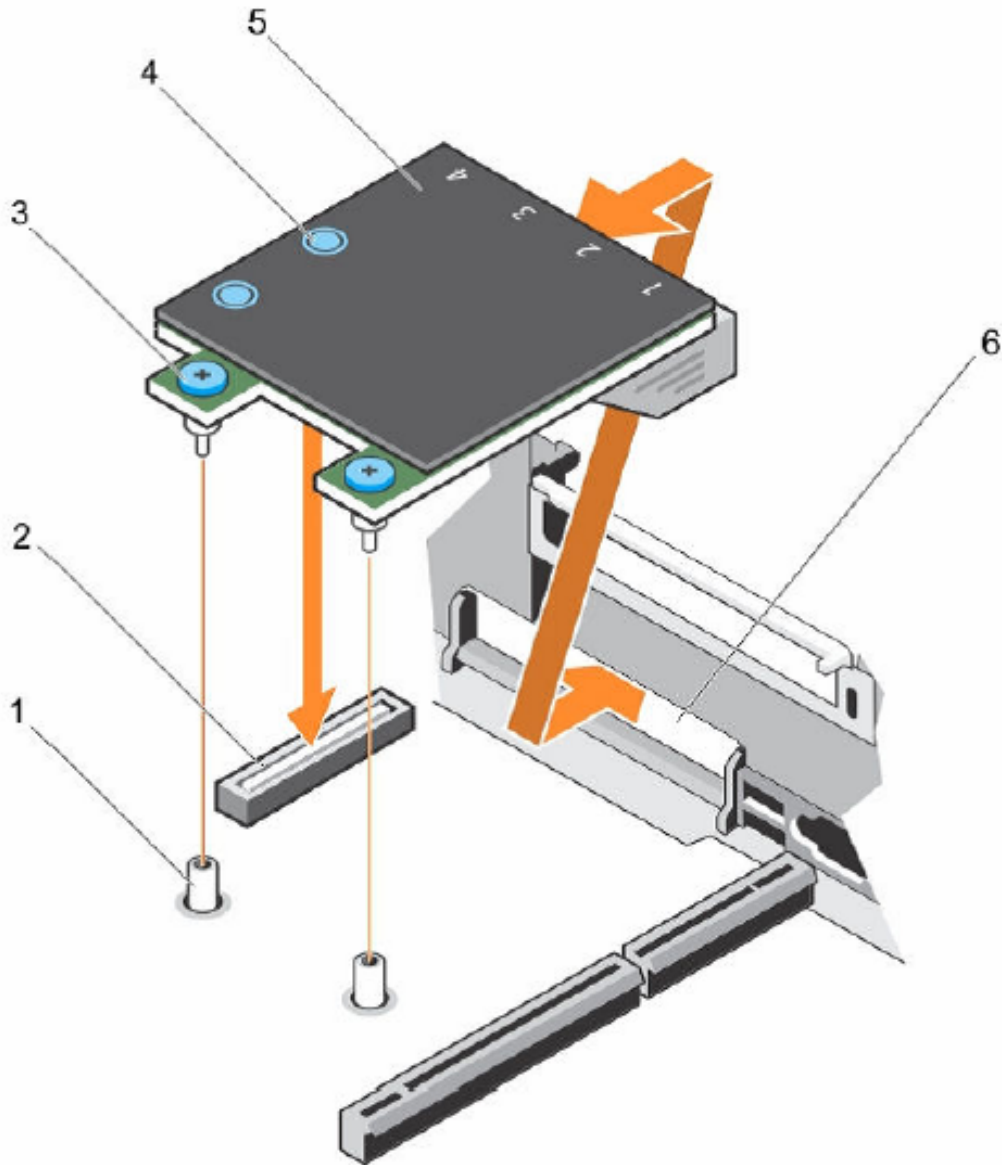
Parts for Installing or Replacing the 10G Network Daughter Card

The following figure shows how to remove the PERC H830 expansion card to gain access to the Network Daughter card.



Key	Description
1	Connector
2	Expansion-card latch
3	PERC H830 expansion card
4	Back panel slot

The following diagram shows the parts used when replacing the 10G Network Daughter card.



Key	Description	Key	Description
1	Captive screw socket (2)	4	Touch point (2)
2	Connector on the system board	5	Network daughter card
3	Captive screw (2)	6	Back panel slot for Ethernet connectors

Install a 10G Network Daughter Card

The following procedure shows how to install a 10G network daughter card in a NetWitness Suite Series 5 R630 appliance.

Caution: Many repairs may only be done by a certified service technician. You should only perform troubleshooting and simple repairs as authorized in your product documentation, or as directed by the online or telephone service and support team. Damage due to servicing that is not authorized by RSA is not covered by your warranty. Read and follow the safety instructions that came with the product.

Note: As long as the repairs and servicing made are allowed under customer support, your warranty will not be voided.

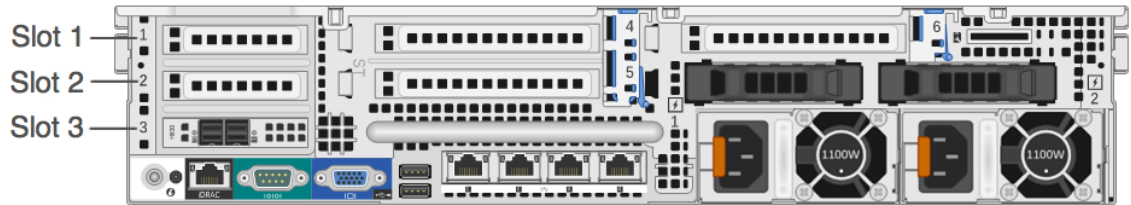
To install the R630 10G Network Daughter card:

Note: Be sure to keep your #2 Phillips screwdriver handy.

1. Turn off the system, including any peripherals.
2. Disconnect the system from the electrical outlets and any attached peripherals, as well any network interface cables.
3. Make sure to protect yourself by wearing an anti-static wrist strap before touching any internal parts. An ESD wrist strap is provided for this purpose.
4. Remove the Warranty label on the server.
5. Open the system.
6. To remove the PERC H830 expansion card from riser card 3, lift the expansion-card latch.
7. Grasp the expansion card by its edges and remove it from the expansion-card connector on the riser card 3.
8. Holding the touch points of riser card 3, lift the expansion-card riser from the riser connector on the system board.
9. Using a #2 Phillips screwdriver, loosen the two captive screws that secure the network daughter card to the system board.
10. Hold the network daughter card by the edges on either side of the touch points and lift to remove it from the connector on the system board.
11. Slide the network daughter card away from the back of the system until the Ethernet connectors are clear of the slot in the back panel.
12. Lift the network daughter card out of the system.

13. Angle the new network daughter card so that the Ethernet connectors fit through the slot in the back panel.
14. Align the captive screws at the back-end of the card with the screw holes on the system board.
15. Press the touch point on the card to ensure that the connector on the card is in contact with the connector on the system board.
16. Using a #2 Phillips screwdriver, tighten the two captive screws to secure the network daughter card to the system board.
17. Install expansion-card riser 3.
18. Holding the PERC H830 card by its edges, position the card so that the card-edge connector aligns with the expansion-card connector.
19. Insert the card-edge connector firmly into the expansion-card connector until the card is fully seated.
20. Slide the expansion-card latch into position.
21. Close the system.
22. Replace the Warranty label on the server with a new label provided with the PCI card.
23. Reconnect the system to the electrical outlets and any attached peripherals, as well as any network interface cables.

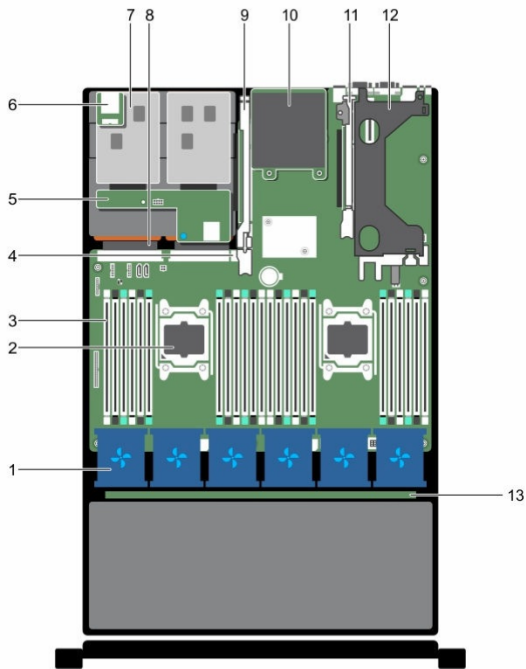
Rear View of Series 5 Hybrid Appliance



Slot 3 contains the PERC H830 RAID controller.

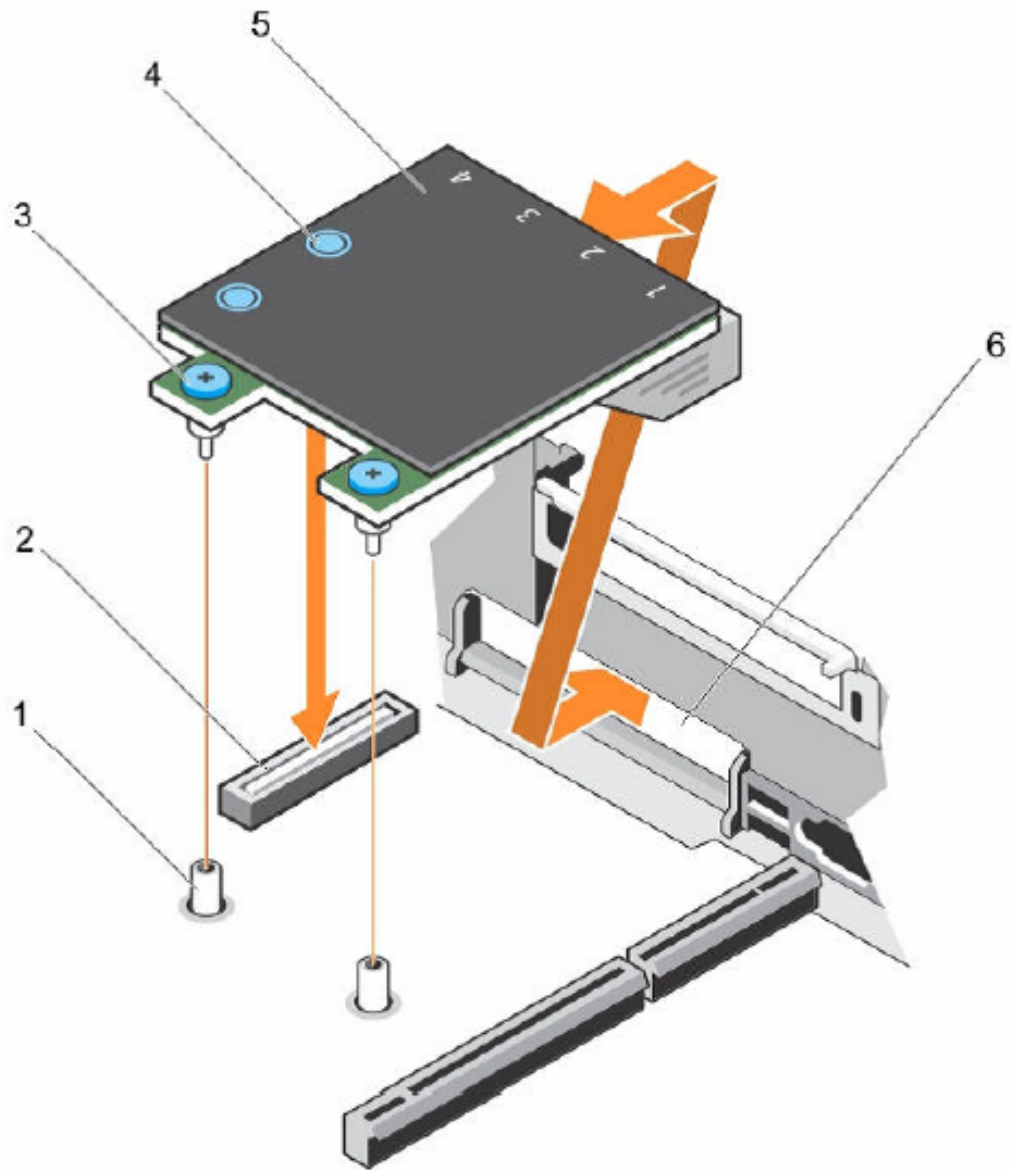
Note: A missing or an unsupported card riser logs an SEL event. It does not prevent your system from powering on and a BIOS POST message or F1/F2 pause is not displayed.

R730xd (Hybrid) System Board



Key	Description	Key	Description
1	Cooling fan in the cooling fan assembly (6)	8	Power supply unit (2)
2	Processor (2)	9	Expansion-card riser 3
3	DIMMs (24)	10	Network daughter card
4	Internal USB port	11	Expansion-card riser 2
5	Hard drive backplane (back)	12	Expansion-card riser 1
6	vFlash media slot	13	Hard drive backplane
7	Hard drive (2) (back)		

The following diagram shows the parts used to install a 10G Network Daughter card.



Key	Description	Key	Description
1	Captive screw socket (2)	4	Touch point (2)
2	Connector on the system board	5	Network daughter card
3	Captive screw (2)	6	Back panel slot for Ethernet connectors

Install a 10G Network Daughter Card in an R730xd (Hybrid)

The following procedure shows how to install a 10G network daughter card in a NetWitness Suite Series 5 R630 appliance.

Caution: Many repairs may only be done by a certified service technician. You should only perform troubleshooting and simple repairs as authorized in your product documentation, or as directed by the online or telephone service and support team. Damage due to servicing that is not authorized by RSA is not covered by your warranty. Read and follow the safety instructions that came with the product.

Note: As long as the repairs and servicing made are allowed under customer support, your warranty will not be voided.

To install a 10G Network Daughter card:

Note: Be sure to keep a #1 Phillips screwdriver handy.

1. Turn off the system, including any attached peripherals.
2. Disconnect the system from the electrical outlets and any attached peripherals, as well as any network interface cables.
3. Make sure to protect yourself by wearing an anti-static wrist strap before touching any internal parts. An ESD wrist strap is provided for this purpose.
4. Remove the Warranty label on the server.
5. Open the system.
6. Loosen the captive screws that secure the network daughter card to the system board.
7. Hold the network daughter card by the edges on either side of the touch point and lift the card to remove it from the connector on the system board
8. Slide the network daughter card away from the back of the system until the Ethernet connectors are clear of the slot in the back panel
9. Lift the network daughter card out of the chassis.
10. Angle the card so that the Ethernet connectors fit through the slot in the back panel.
11. Align the captive screws on the card with the captive screw sockets on the system board.
12. Press the touch points on the card until the card connector is firmly seated on the system board connector.

13. Using a #1 Phillips screwdriver, tighten the captive screws to secure the network daughter card to the system board.
14. Close the system.
15. Replace the Warranty label on the server with a new label provided with the PCI card.
16. Reconnect the system to the electrical outlets and any attached peripherals, as well as any network interface cables.

RSA Part Number: R7159A2



P/N: 509-1815-01



REV: 0B